

# ON-PREMISES STACK TUMBLE DRYER

NTT  
RANGE

NTT45

45lb



## FEATURES

- Easy-to-use digital control
- Double capacity within the same footprint
- Gas heating
- Large door opening for easy loading and unloading
- Galvanized cylinder
- Axial airflow
- Large lint filter
- Fits through 36" door opening

## OPTIONS

- Stainless steel cylinder
- Stainless steel front panel
- Sensodry+® over-dry prevention technology lowers energy, utility and linen replacement costs



DOUBLE  
CAPACITY



EASY  
OPERATION



LARGE DOOR  
OPENING



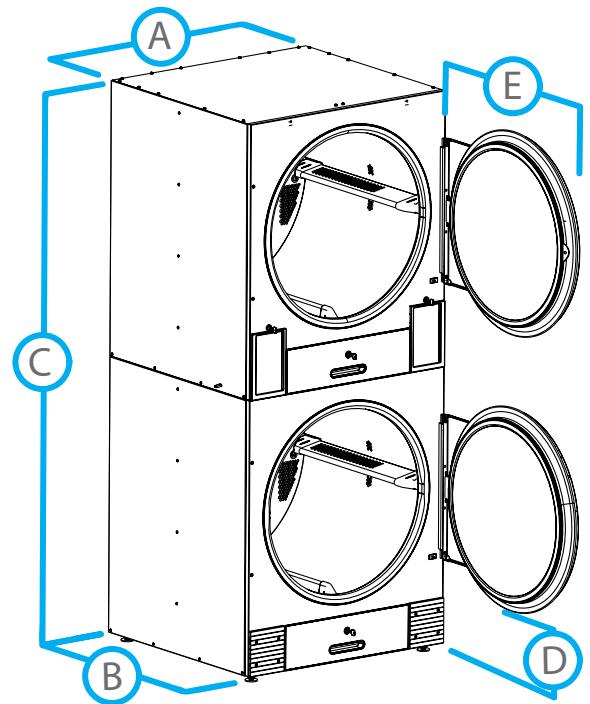
XQ Control



Dual Digital Control



<b>MODEL</b>		NTT45	
CONTROL OPTION		XQ, DDC	
CAPACITY - lb (kg)		2x45 (2x20)	
OVERALL WIDTH - in (mm)		34.5 (876)	
OVERALL DEPTH - in (mm)		48.62 (1235)	
OVERALL HEIGHT - in (mm)		81.25 (2064)	
CYLINDER DIAMETER - in (mm)		30 (762)	
CYLINDER VOLUME - cu. ft (liters)		2x14.8 (2x419)	
DOOR OPENING SIZE - in (mm)		22.88 (581)	
ENERGY DATA		2x95,000 Btu/h	
EXHAUST - in (mm)		1x10	
GAS CONNECTIONS - one manifold - in (npt)		0.5	
MOTOR - hp		Fan	2x0.5
		Drive	2x0.5
DRYING AVERAGE - lbs/min		0.83	
AIRFLOW - cfm		600	
ELECTRIC SPECS - amps		Non Rev (both pockets)	
GAS & STEAM		200-208/240/60/3 3W+G	9.6/9.6 total
		208-240/60/1 3W+G	12.0 total
SHIPPING DIMENSIONS - in (mm)		APPROX.	
		Width	35.5 (902)
		Depth	54 (1372)
		Height	85 (2159)
NET WEIGHT - lb (kg)		673 (305)	
SHIPPING WEIGHT - lb (kg)		718 (326)	
AGENCY APPROVALS		cCSAus	



DIMENSIONS		NTT45
A.	OVERALL WIDTH - in (mm)	34.5 (876)
B.	OVERALL DEPTH - in (mm)	48.62 (1235)
C.	OVERALL HEIGHT - in (mm)	81.25 (2064)
D.	DOOR BOTTOM TO FLOOR - in (mm)	9.31 (236)
E.	DOOR SWING - in (mm)	31.88 (810)