

ON-PREMISES STACK TUMBLE DRYER

NTT
RANGE

NTT30
30lb



FEATURES

- Easy-to-use digital control
- Double capacity within the same footprint
- Gas, electric and steam heating
- Large door opening for easy loading and unloading
- Galvanized cylinder
- Axial airflow
- Large lint filter
- Fits through 36" door opening

OPTIONS

- Stainless steel cylinder
- Stainless steel front panel
- Sensodry+® over-dry prevention technology lowers energy, utility and linen replacement costs



DOUBLE CAPACITY



EASY OPERATION



LARGE DOOR OPENING



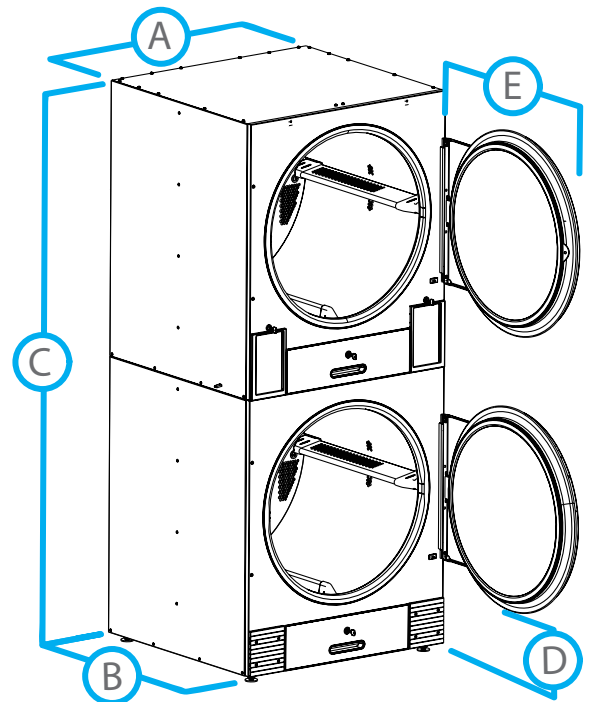
XQ Control



Dual Digital Control



MODEL		NTT30	
CONTROL OPTION		XQ, DDC	
CAPACITY - lb (kg)		2x30 (2x14)	
OVERALL WIDTH - in (mm)		31.5 (800)	
OVERALL DEPTH - in (mm)		42.76 (1086)	
OVERALL HEIGHT - in (mm)		76.25 (1937)	
CYLINDER DIAMETER - in (mm)		26.5 (673)	
CYLINDER VOLUME - cu. ft (liters)		2x9.6 (2x272)	
DOOR OPENING SIZE - in (mm)		22.63 (575)	
ENERGY DATA	Steam Models - 100 psi	111,000 Btu/h	
	Electric Models	21 kW	
	Gas Models	2x73,000 Btu/h	
EXHAUST - in (mm)		1x8	
GAS CONNECTIONS - one manifold - in (npt)		0.5	
STEAM CONNECTIONS - in (npt)		0.75	
MOTOR - hp	Fan	2x0.25	
	Drive	2x0.25	
DRYING AVERAGE - lbs/min	Gas Heating	0.64	
	Electric Heating	0.69	
AIRFLOW - cfm		400	
ELECTRIC SPECS - amps		Non Rev (both pockets)	
GAS & STEAM	100/200-220/60/1 2W+G	22.0/11.6 total	
	120/208-240/60/1 2W/3W+G	16.0/8.0 total	
	200-208/240/60/3 3W+G	6.4/6.4 total	
	380/60/3 3W+G	3.0 total	
	440/60/3 3W+G	3.3 total	
ELECTRIC	460-480/60/3 3W+G	3.3 total	
	200-208/60/3 3W+G	62x2 - 124 total	
	240/60/3 3W+G	54x2 - 108 total	
	380/60/3 3W+G	33x2 - 66 total	
SHIPPING DIMENSIONS - in (mm)	440/60/3 3W+G	29x2 - 56 total	
	460-480/60/3 3W+G	27x2 - 54 total	
	APPROX.	Width	32.5 (826)
		Depth	47 (1194)
Height		81 (2057)	
NET WEIGHT - lb (kg)		550 (249)	
SHIPPING WEIGHT - lb (kg)		582 (264)	
AGENCY APPROVALS		cCSAus	



DIMENSIONS		NTT30
A.	OVERALL WIDTH - in (mm)	31.5 (800)
B.	OVERALL DEPTH - in (mm)	42.76 (1086)
C.	OVERALL HEIGHT - in (mm)	76.25 (1937)
D.	DOOR BOTTOM TO FLOOR - in (mm)	10.69 (272)
E.	DOOR SWING - in (mm)	28 (711)