

ON-PREMISES RIGID MOUNT WASHER EXTRACTOR

PA30

30lb

PA
RANGE

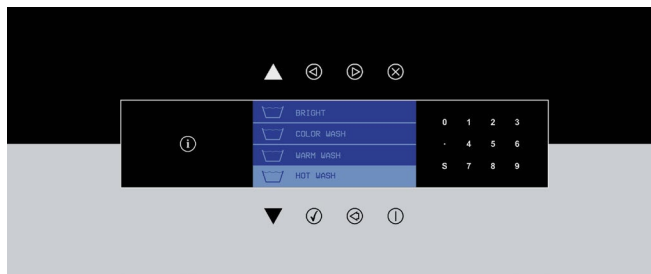


FEATURES

- Rigid mounted, 100 or 200 G-Force options
- Stainless steel top, front, and side panels
- Stainless steel cylinder and tub
- Patented Cascade™ cylinder for better washability
- XControl+ – fully programmable control
- Patented soap hopper
- Large drain valve
- Front access to vital parts for easy maintenance
- Large door opening for easy loading and unloading
- USB plug on the back panel and control board
- Warranty: First three years on all parts; First five years frame and cylinder shaft assembly; First five years on cylinder bearings and bearing seals (parts only)

OPTIONS

- Third water inlet
- Steam heating



ERGONOMICAL
CONSTRUCTION



LARGE DOOR
OPENING



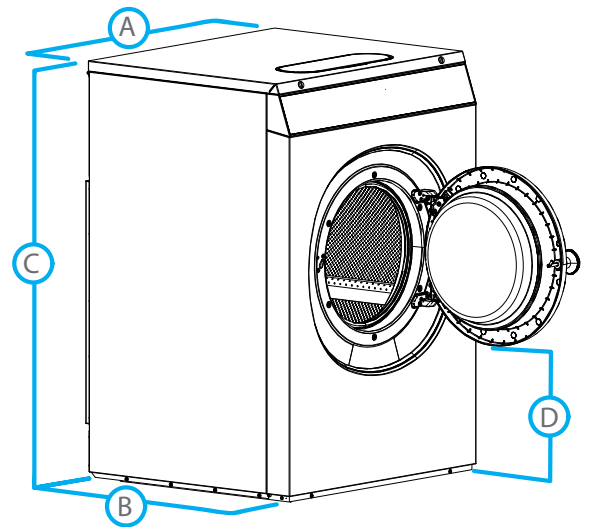
LOW WATER
AND ENERGY
CONSUMPTION



3 YEAR PARTS
WARRANTY

MODEL		PA30
CONTROL OPTION		XControl+
CAPACITY - lb (kg)		30 (14)
OVERALL WIDTH - in (mm)		29.53 (750)
OVERALL DEPTH - in (mm)		35.43 (900)
OVERALL HEIGHT - in (mm)		48.22 (1225)
CYLINDER DIAMETER - in (mm)		24.4 (620)
CYLINDER VOLUME - cu. ft (liters)		4.8 (136)
DOOR OPENING SIZE - in (mm)		16.14 (410)
DOOR BOTTOM TO FLOOR - in (mm)		13.46 (342)
WASH SPEED - RPM		46
EXTRACT SPEED - RPM		540/760
EXTRACT G-FORCE		100 or 200
STEAM HEATING - psi		15-116
SOUND PRESSURE LEVEL - dB (A)		< 65
WATER VALVE CONNECTION - NPT*		0.75"
WATER PRESSURE -psi		15-116
RECOMMENDED WATER PRESSURE - psi		44-73
WATER INLET (EACH) - g/min		5.28
DRAIN VALVE - in (mm)		3 (76)
FLOW AMOUNT W/ DRAIN VALVE - g/min		55.48
FLOOR TO DRAIN OUTLET CENTER - in (mm)		3.95 (100)
SIDE TO DRAIN OUTLET CENTER - in (mm)		8.85 (225)
STEAM VALVE CONNECTION - BSP		0.5"
VOLTAGE/CIRCUIT BREAKER - FLA		120/60/1 208-240/60/1
SHIPPING DIMENSIONS		APPROX. - in (mm)
		Width
		Depth
		Height
NET WEIGHT - lb (kg)		419 (190)
SHIPPING WEIGHT - lb (kg)		441 (200)
AGENCY APPROVALS		cCSAus

*Fill hoses provided to convert BSP at machine to NPT supply connection.



DIMENSIONS		PA30
A.	OVERALL WIDTH - in (mm)	29.53 (750)
B.	OVERALL DEPTH - in (mm)	35.43 (900)
C.	OVERALL HEIGHT - in (mm)	48.22 (1225)
D.	DOOR BOTTOM TO FLOOR - in (mm)	13.46 (342)