

ON-PREMISES RIGID MOUNT WASHER EXTRACTOR

PA25

25lb

PA
RANGE

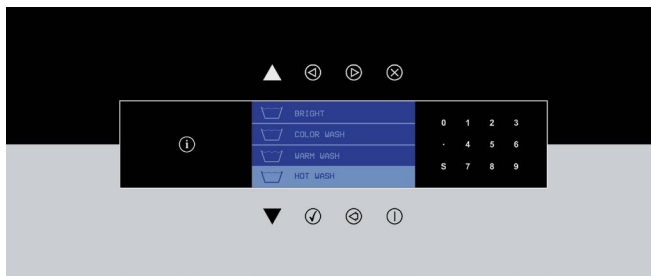


FEATURES

- Rigid mounted, 100 or 200 G-Force options
- Stainless steel top, front, and side panels
- Stainless steel cylinder and tub
- Patented Cascade™ cylinder for better washability
- XControl+ – fully programmable control
- Patented soap hopper
- Large drain valve
- Front access to vital parts for easy maintenance
- Large door opening for easy loading and unloading
- USB plug on the back panel and control board
- Warranty: First three years on all parts; First five years frame and cylinder shaft assembly; First five years on cylinder bearings and bearing seals (parts only)

OPTIONS

- Third water inlet
- Steam heating



ERGONOMICAL
CONSTRUCTION



LARGE DOOR
OPENING



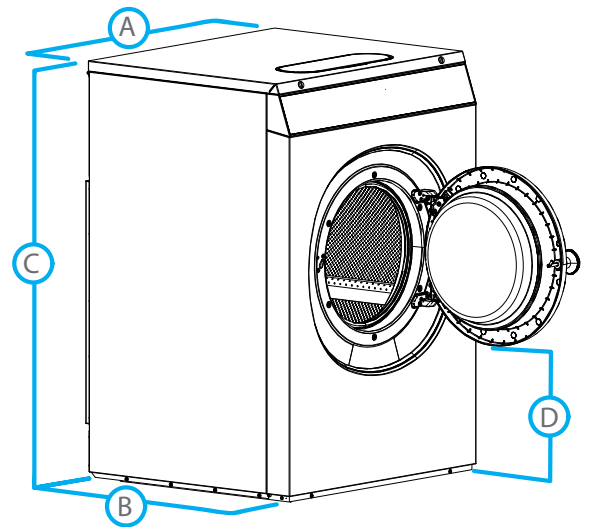
LOW WATER
AND ENERGY
CONSUMPTION



3 YEAR PARTS
WARRANTY

MODEL	PA25	
CONTROL OPTION	XControl+	
CAPACITY - lb (kg)	25 (11)	
OVERALL WIDTH - in (mm)	29.53 (750)	
OVERALL DEPTH - in (mm)	30.91 (785)	
OVERALL HEIGHT - in (mm)	48.22 (1225)	
CYLINDER DIAMETER - in (mm)	24.4 (620)	
CYLINDER VOLUME - cu. ft (liters)	3.7 (105)	
DOOR OPENING SIZE - in (mm)	16.14 (410)	
DOOR BOTTOM TO FLOOR - in (mm)	13.46 (342)	
WASH SPEED - RPM	46	
EXTRACT SPEED - RPM	540/760	
EXTRACT G-FORCE	100 or 200	
STEAM HEATING - psi	15-116	
SOUND PRESSURE LEVEL - dB (A)	< 65	
WATER VALVE CONNECTION - NPT*	0.75"	
WATER PRESSURE -psi	15-116	
RECOMMENDED WATER PRESSURE - psi	44-73	
WATER INLET (EACH) - g/min	5.28	
DRAIN VALVE - in (mm)	3 (76)	
FLOW AMOUNT W/ DRAIN VALVE - g/min	55.48	
FLOOR TO DRAIN OUTLET CENTER - in (mm)	3.85 (98)	
SIDE TO DRAIN OUTLET CENTER - in (mm)	8.85 (225)	
STEAM VALVE CONNECTION - BSP	0.5"	
VOLTAGE/CIRCUIT BREAKER - FLA	120/60/1	15-11.7
	208-240/60/1	10-6.3
SHIPPING DIMENSIONS	APPROX. - in (mm)	
	Width	31.5 (800)
	Depth	32.87 (835)
	Height	53.35 (1355)
NET WEIGHT - lb (kg)	375 (170)	
SHIPPING WEIGHT - lb (kg)	408 (185)	
AGENCY APPROVALS	cCSAus	

*Fill hoses provided to convert BSP at machine to NPT supply connection.



DIMENSIONS	PA25
A. OVERALL WIDTH - in (mm)	29.53 (750)
B. OVERALL DEPTH - in (mm)	30.91 (785)
C. OVERALL HEIGHT - in (mm)	48.22 (1225)
D. DOOR BOTTOM TO FLOOR - in (mm)	13.46 (342)