

ON-PREMISES RIGID MOUNT WASHER EXTRACTOR

PA20

20lb

PA
RANGE

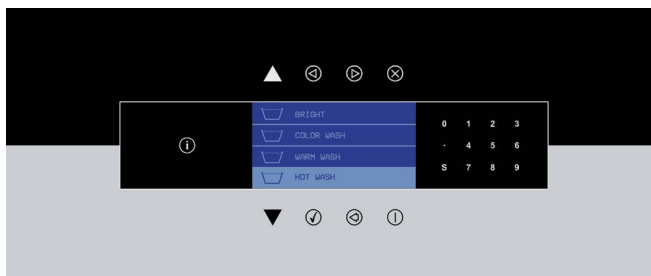


FEATURES

- Rigid mounted, 100 or 200 G-Force options
- Stainless steel top, front, and side panels
- Stainless steel cylinder and tub
- Patented Cascade™ cylinder for better washability
- XControl+ – fully programmable control
- Patented soap hopper
- Large drain valve
- Front access to vital parts for easy maintenance
- Large door opening for easy loading and unloading
- USB plug on the back panel and control board
- Warranty: First three years on all parts; First five years frame and cylinder shaft assembly; First five years on cylinder bearings and bearing seals (parts only)

OPTIONS

- Third water inlet
- Steam heating



ERGONOMICAL
CONSTRUCTION



LARGE DOOR
OPENING



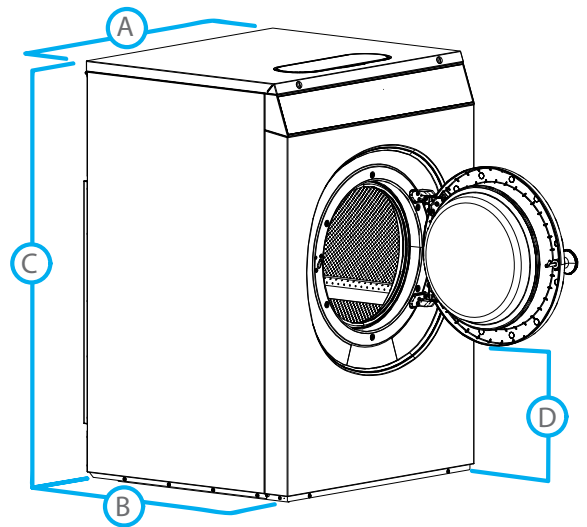
LOW WATER
AND ENERGY
CONSUMPTION



3 YEAR PARTS
WARRANTY

MODEL		PA20
CONTROL OPTION		XControl+
CAPACITY - lb (kg)		20 (8)
OVERALL WIDTH - in (mm)		25.98 (660)
OVERALL DEPTH - in (mm)		30.91 (785)
OVERALL HEIGHT - in (mm)		43.89 (1115)
CYLINDER DIAMETER - in (mm)		20.87 (530)
CYLINDER VOLUME - cu. ft (liters)		2.6 (7.5)
DOOR OPENING SIZE - in (mm)		13 (330)
DOOR BOTTOM TO FLOOR - in (mm)		13.74 (349)
WASH SPEED - RPM		50
EXTRACT SPEED - RPM		580/820
EXTRACT G-FORCE		100 or 200
STEAM HEATING - psi		15-116
SOUND PRESSURE LEVEL - dB (A)		< 65
WATER VALVE CONNECTION - NPT*		0.75"
WATER PRESSURE -psi		15-116
RECOMMENDED WATER PRESSURE - psi		44-73
WATER INLET (EACH) - g/min		5.28
DRAIN VALVE - in (mm)		3 (76)
FLOW AMOUNT W/ DRAIN VALVE - g/min		55.48
FLOOR TO DRAIN OUTLET CENTER - in (mm)		3.46 (88)
SIDE TO DRAIN OUTLET CENTER - in (mm)		6.53 (166)
STEAM VALVE CONNECTION - BSP		0.5"
VOLTAGE/CIRCUIT BREAKER - FLA		120/60/1 208-240/60/1
SHIPPING DIMENSIONS		
APPROX. - in (mm)	Width	27.95 (710)
	Depth	32.87 (835)
	Height	49.02 (1245)
NET WEIGHT - lb (kg)		298 (135)
SHIPPING WEIGHT - lb (kg)		320 (145)
AGENCY APPROVALS		cCSAus

*Fill hoses provided to convert BSP at machine to NPT supply connection.



DIMENSIONS		PA20
A. OVERALL WIDTH - in (mm)		25.98 (660)
B. OVERALL DEPTH - in (mm)		30.91 (785)
C. OVERALL HEIGHT - in (mm)		43.89 (1115)
D. DOOR BOTTOM TO FLOOR - in (mm)		13.74 (349)