

ON-PREMISES PREMIUM SINGLE TUMBLE DRYER

PT
RANGE

PT075

75lb



FEATURES

- Easy-to-use digital control
- Electric, gas and steam heating
- Large door opening for easy loading and unloading
- Galvanized cylinder
- Radial airflow
- Large self-cleaning lint screen

OPTIONS

- Reversing cylinder to avoid tangling of large items
- Stainless steel cylinder
- Stainless steel front panel
- Sensodry+™ over-dry prevention technology lowers energy, utility and linen replacement costs
- SafeTech™ Fire Suppression System, a multi-port water manifold system, will saturate linens in an unlikely event of fire within the cylinder



FAST DRYING



EASY
OPERATION



SERVICE
FRIENDLY

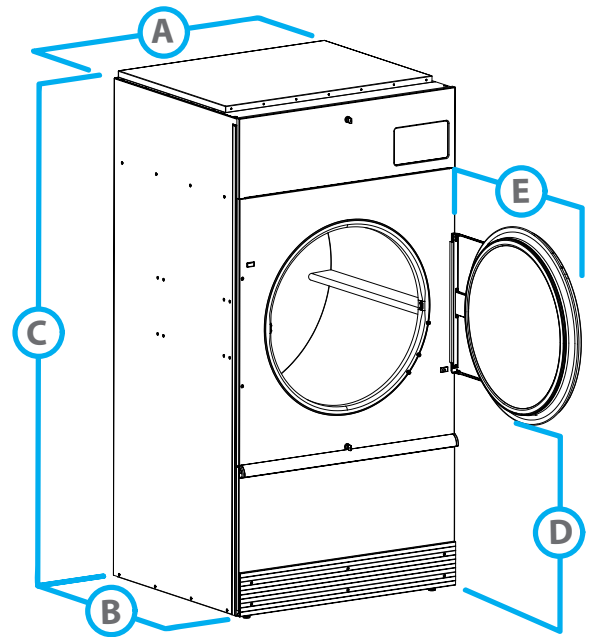


XQ Control



Dual Digital Control

MODEL		PT075	
CONTROL OPTION		XQ, DDC	
CAPACITY - lb (kg)		75 (34)	
OVERALL WIDTH - in (mm)		38.5 (98 0)	
OVERALL DEPTH - in (mm)		53 (1350)	
OVERALL HEIGHT - in (mm)		77.3 (1960)	
CYLINDER DIAMETER - in (mm)		37 (940)	
CYLINDER VOLUME - cu. ft (liters)		22.4 (634)	
DOOR OPENING SIZE - in (mm)		26.88 (683)	
ENERGY DATA		Steam Models - 100 psi	133,900 Btu/h
		Electric Models	36 kW
		Gas Models	165,000 Btu/h
EXHAUST - in (mm)		8 (203)	
GAS CONNECTIONS - in (npt)		0.75	
STEAM CONNECTIONS - in (npt)		0.75	
MOTOR - hp		Fan	0.5
		Drive	0.5
DRYING AVERAGE - lbs/min		Gas Heating	1.36
		Electric Heating	0.82
AIRFLOW - cfm		Gas/Steam	800
		Electric	800
ELECTRIC SPECS - amps			
GAS & STEAM		100-120V/50-60Hz/1Ph	12
		200-240V/50-60Hz/1-3Ph	7
		440-480V/50-60Hz/3Ph	3
		380-415V/50-60Hz/3Ph	3
ELECTRIC		200-208V/50-60Hz/3Ph	104
		230-240V/50-60Hz/3Ph	90
		380V/50-60Hz/3Ph	56
		400-415V/50-60Hz/3Ph	52
		440V/50-60Hz/3Ph	49
		460-480V/50-60Hz/3Ph	45
SHIPPING DIMENSIONS - in (mm)		APPROX. Width	41.5 (1054)
		Depth	56 (1420)
		Height	81 (2060)
NET WEIGHT - lb (kg)		Gas	680 (310)
		Steam	720 (325)
		Electric	710 (320)
SHIPPING WEIGHT - lb (kg)		Gas	730 (330)
		Steam	770 (350)
		Electric	760 (340)
AGENCY APPROVALS		cCSAus	



DIMENSIONS		PT075
A.	OVERALL WIDTH - in (mm)	38.5 (98 0)
B.	OVERALL DEPTH - in (mm)	53 (1350)
C.	OVERALL HEIGHT - in (mm)	77.3 (1960)
D.	DOOR BOTTOM TO FLOOR - in (mm)	29.2 (740)
E.	DOOR SWING - in (mm)	33.9 (860)