

# ON-PREMISES PREMIUM SINGLE TUMBLE DRYER

PT035

35lb



## FEATURES

- Easy-to-use digital control
- Electric, gas and steam heating
- Large door opening for easy loading and unloading
- Galvanized cylinder
- Axial airflow
- Large self-cleaning lint screen
- Fits through 36" door opening

## OPTIONS

- Reversing cylinder to avoid tangling of large items
- Stainless steel cylinder
- Stainless steel front panel
- Sensodry+<sup>®</sup> over-dry prevention technology lowers energy, utility and linen replacement costs
- SafeTech<sup>™</sup> Fire Suppression System, a multi-port water manifold system, will saturate linens in an unlikely event of fire within the cylinder



FAST DRYING



EASY  
OPERATION



SERVICE  
FRIENDLY

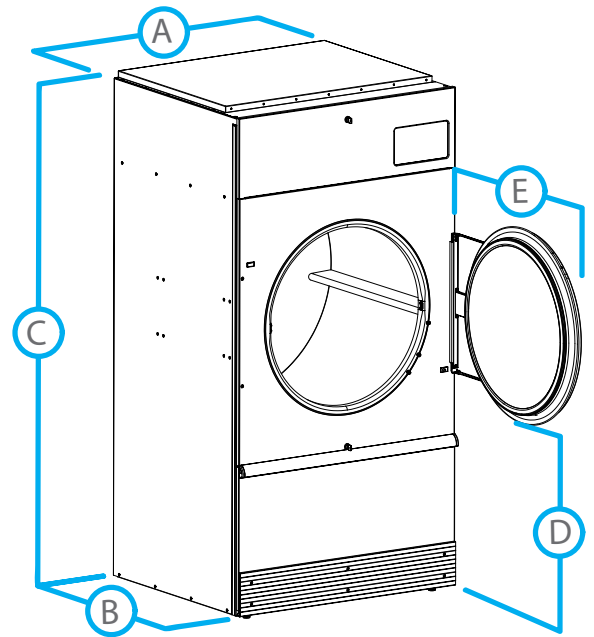


XQ Control



Dual Digital Control

MODEL		PT035
CONTROL OPTION		XQ, DDC
CAPACITY - lb (kg)		35 (16)
OVERALL WIDTH - in (mm)		31.5 (800)
OVERALL DEPTH - in (mm)		46.87 (1190)
OVERALL HEIGHT - in (mm)		63.87 (1622)
CYLINDER DIAMETER - in (mm)		30 (762)
CYLINDER VOLUME - cu. ft (liters)		12.3 (348)
DOOR OPENING SIZE - in (mm)		22.69 (576)
ENERGY DATA		Steam Models - 100 psi 166,000 Btu/hr
		Electric Models 24 kW
EXHAUST - in (mm)		8 (203)
GAS CONNECTIONS - in (npt)		0.5
STEAM CONNECTIONS - in (npt)		0.75
MOTOR - hp		Fan 0.25
		Drive 0.25
DRYING AVERAGE - lbs/min		Gas Heating 0.73
		Electric Heating 0.74
AIRFLOW - cfm		650
ELECTRIC SPECS - amps		Non Rev (Rev)
GAS & STEAM		100/200-220/60/1 2W+G 11.0/5.8
		120/208-240/60/1 2W/3W+G 12.0/6.7
		200-208/240/60/3 3W+G 3.2/3.2
		(4.0/4.0)
		380/60/3 3W+G 1.5 (2.0)
		440/60/3 3W+G 1.6 (2.0)
		460-480/60/3 3W+G 1.6 (2.0)
ELECTRIC		208/60/1 3W+G 122
		240/60/1 3W+G 107
		200/60/1 2W+G 122
		200-208/60/3 3W+G 71 (71)
		240/60/3 3W+G 62 (62)
		380/60/3 3W+G 38 (38)
		440/60/3 3W+G 33 (33)
		460-480/60/3 3W+G 31 (31)
SHIPPING DIMENSIONS APPROX.		Width 33 (838)
		Depth 49 (1245)
		Height 69 (1753)
NET WEIGHT - lb (kg)		360 (163)
SHIPPING WEIGHT - lb (kg)		394 (177)
AGENCY APPROVALS		cCSAus



DIMENSIONS		PT035
A.	OVERALL WIDTH - in (mm)	31.5 (800)
B.	OVERALL DEPTH - in (mm)	46.87 (1190)
C.	OVERALL HEIGHT - in (mm)	63.87 (1622)
D.	DOOR BOTTOM TO FLOOR - in (mm)	27.5 (669)
E.	DOOR SWING - in (mm)	28 (711)