

# ON-PREMISES PREMIUM SINGLE TUMBLE DRYER

PT030

30lb



## FEATURES

- Easy-to-use digital control
- Electric, gas and steam heating
- Large door opening for easy loading and unloading
- Galvanized cylinder
- Axial airflow
- Large self-cleaning lint screen
- Fits through 36" door opening

## OPTIONS

- Reversing cylinder to avoid tangling of large items
- Stainless steel cylinder
- Stainless steel front panel
- Sensodry+<sup>®</sup> over-dry prevention technology lowers energy, utility and linen replacement costs
- SafeTech<sup>™</sup> Fire Suppression System, a multi-port water manifold system, will saturate linens in an unlikely event of fire within the cylinder



FAST DRYING



EASY  
OPERATION



SERVICE  
FRIENDLY

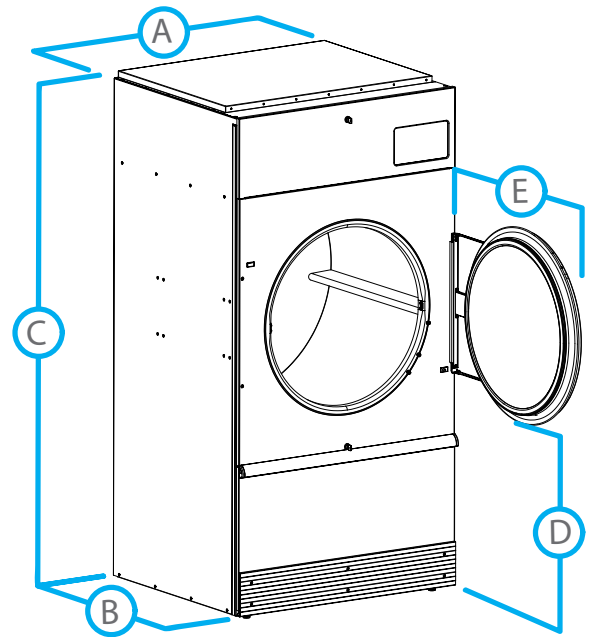


XQ Control



Dual Digital Control

MODEL		PT030
CONTROL OPTION		XQ, DDC
CAPACITY - lb (kg)		30 (14)
OVERALL WIDTH - in (mm)		28 (711)
OVERALL DEPTH - in (mm)		46.87 (1190)
OVERALL HEIGHT - in (mm)		63.87 (1622)
CYLINDER DIAMETER - in (mm)		26.5 (673)
CYLINDER VOLUME - cu. ft (liters)		9.6 (272)
DOOR OPENING SIZE - in (mm)		22.69 (576)
ENERGY DATA		
Steam Models - 100 psi		134,700 Btu/hr
Electric Models		21 kW
EXHAUST - in (mm)		6 (152)
GAS CONNECTIONS - in (npt)		0.5
STEAM CONNECTIONS - in (npt)		0.75
MOTOR - hp		
Fan		0.25
Drive		0.25
DRYING AVERAGE - lbs/min		
Gas Heating		0.57
Electric Heating		0.6
AIRFLOW - cfm		500
ELECTRIC SPECS - amps		Non Rev (Rev)
GAS & STEAM		
100/200-220/60/1 2W+G		11.0/5.8
120/208-240/60/1 2W/3W+G		12.0/6.7
200-208/240/60/3 3W+G		3.2/3.2 (4.0/4.0)
380/60/3 3W+G		1.5 (2.0)
440/60/3 3W+G		1.6 (2.0)
460-480/60/3 3W+G		1.6 (2.0)
ELECTRIC		
208/60/1 3W+G		108
240/60/1 3W+G		94
200/60/1 2W+G		108
200-208/60/3 3W+G		62 (62)
240/60/3 3W+G		54 (54)
380/60/3 3W+G		33 (33)
440/60/3 3W+G		29 (29)
460-480/60/3 3W+G		27 (27)
SHIPPING DIMENSIONS - in (mm)		
APPROX. Width		30 (762)
Depth		49 (1245)
Height		69 (1753)
NET WEIGHT - lb (kg)		330 (150)
SHIPPING WEIGHT - lb (kg)		364 (165)
AGENCY APPROVALS		cCSAus



DIMENSIONS		PT030
A.	OVERALL WIDTH - in (mm)	28 (711)
B.	OVERALL DEPTH - in (mm)	46.87 (1190)
C.	OVERALL HEIGHT - in (mm)	63.87 (1622)
D.	DOOR BOTTOM TO FLOOR - in (mm)	27.5 (669)
E.	DOOR SWING - in (mm)	26.25 (667)