

ON-PREMISES PREMIUM SINGLE TUMBLE DRYER

PT025

25lb



FEATURES

- Easy-to-use digital control
- Electric, gas and steam heating
- Large door opening for easy loading and unloading
- Galvanized cylinder
- Axial airflow
- Large self-cleaning lint screen
- Fits through 36" door opening

OPTIONS

- Reversing cylinder to avoid tangling of large items
- Stainless steel cylinder
- Stainless steel front panel
- Sensodry+™ over-dry prevention technology lowers energy, utility and linen replacement costs
- SafeTech™ Fire Suppression System, a multi-port water manifold system, will saturate linens in an unlikely event of fire within the cylinder



FAST DRYING



EASY
OPERATION



SERVICE
FRIENDLY

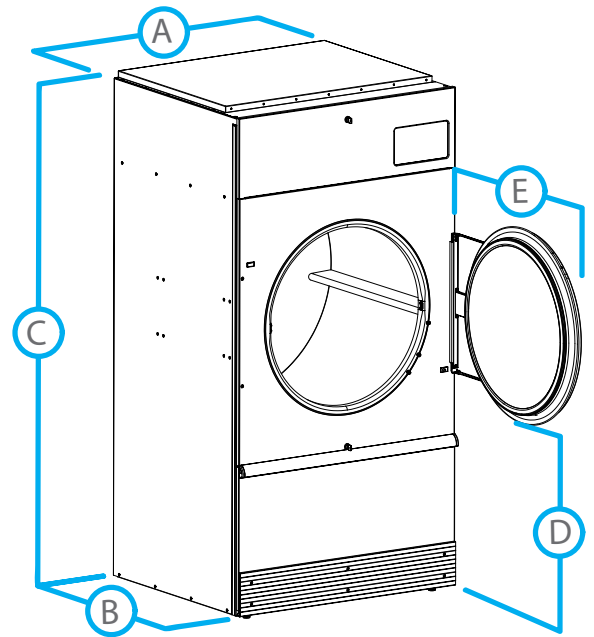


XQ Control



Dual Digital Control

MODEL		PT025	
CONTROL OPTION		XQ, DDC	
CAPACITY - lb (kg)		25 (11)	
OVERALL WIDTH - in (mm)		28 (711)	
OVERALL DEPTH - in (mm)		40.87 (1038)	
OVERALL HEIGHT - in (mm)		63.87 (1622)	
CYLINDER DIAMETER - in (mm)		26.5 (673)	
CYLINDER VOLUME - cu. ft (liters)		7.7 (218)	
DOOR OPENING SIZE - in (mm)		22.69 (576)	
ENERGY DATA	Steam Models - 100 psi	134,700 Btu/hr	
	Electric Models	12 kW	
EXHAUST - in (mm)		6 (152)	
GAS CONNECTIONS - in (npt)		0.5	
STEAM CONNECTIONS - in (npt)		0.75	
MOTOR - hp	Fan	0.25	
	Drive	0.25	
DRYING AVERAGE - lbs/min	Gas Heating	0.49	
	Electric Heating	0.38	
AIRFLOW - cfm		500	
ELECTRIC SPECS - amps		Non Rev (Rev)	
GAS & STEAM	100/200-220/60/1 2W+G	11.0/5.8	
	120/208-240/60/1 2W/3W+G	12.0/6.7	
	200-208/240/60/3 3W+G	3.2/3.2 (4.0/4.0)	
	380/60/3 3W+G	1.5 (2.0)	
	440/60/3 3W+G	1.6 (2.0)	
	460-480/60/3 3W+G	1.6 (2.0)	
	ELECTRIC	208/60/1 3W+G	64
	240/60/1 3W+G	57	
	200/60/1 2W+G	64	
	200-208/60/3 3W+G	37 (37)	
	240/60/3 3W+G	33 (33)	
	380/60/3 3W+G	20 (20)	
	440/60/3 3W+G	17 (17)	
	460-480/60/3 3W+G	16 (16)	
SHIPPING DIMENSIONS	APPROX.	Width	30 (762)
		Depth	43 (1092)
		Height	69 (1753)
NET WEIGHT - lb (kg)		300 (136)	
SHIPPING WEIGHT - lb (kg)		332 (151)	
AGENCY APPROVALS		cCSAus	



DIMENSIONS		PT025
A.	OVERALL WIDTH - in (mm)	28 (711)
B.	OVERALL DEPTH - in (mm)	40.87 (1038)
C.	OVERALL HEIGHT - in (mm)	63.87 (1622)
D.	DOOR BOTTOM TO FLOOR - in (mm)	27.5 (669)
E.	DOOR SWING - in (mm)	26.25 (667)